

DOOSAN

SNOW PUSHER ATTACHMENT



Snow Pusher Attachment

FOR THOSE WHO LIKE TO PUSH IT.

Push for more productivity. Demand more versatility. The durable snow pusher attachment is a smart alternative to buckets and traditional windrow plowing, allowing you to clear massive piles of snow from parking lots, runways, road ways and more.

Made to move through heavy snow

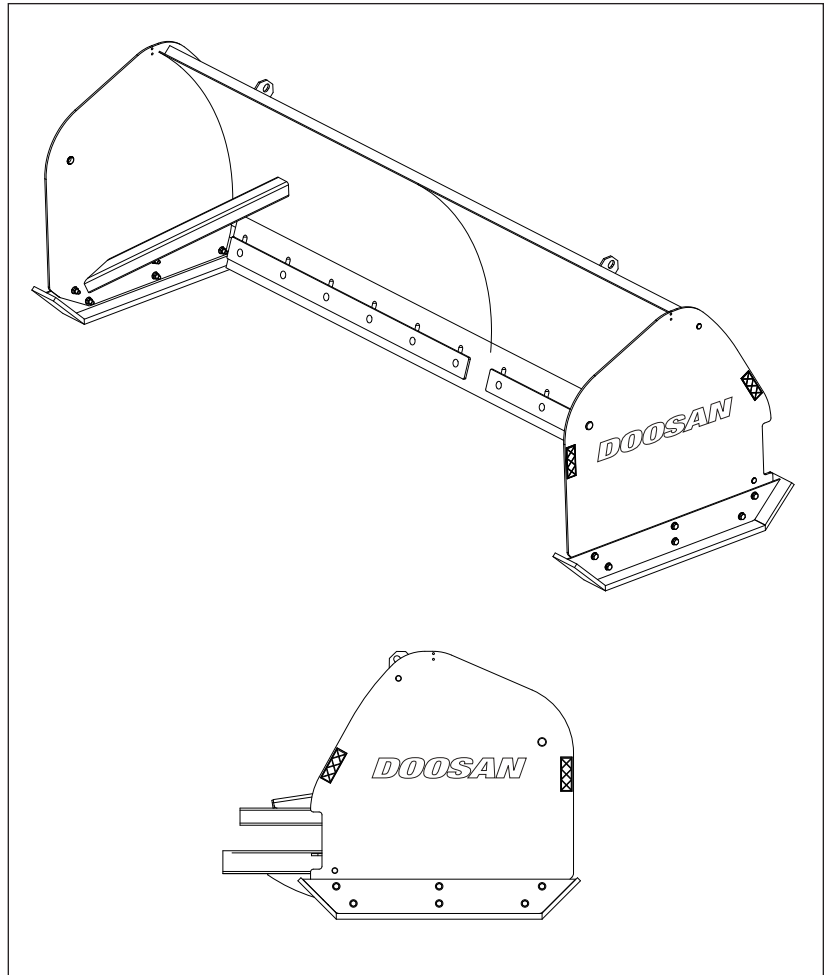
- 47-inch high moldboard enables high-capacity snow removal
- 1.5-inch rubber cutting edge protects the jobsite

Unrivalled durability keeps you productive

- High-grade steel shoes and a 12-inch push beam protect your attachment from surface irregularities
- Three support tubes add strength and provide maximum strength for heavy pushing

Designed to make your loader more versatile

- Available in 12-foot and 14-foot widths
- Compatible with all Doosan general-purpose and light-material buckets when installed on machines listed below.
- Approved for use on the DL200-3, DL200TC-3, DL220-3, DL250-3, DL250TC-3, DL300-3 wheel loader models



1.877.745.7814
DoosanEquipment.com

Doosan and the Doosan logo are registered trademarks of Doosan Corp. in the United States and various other countries around the world.
©2014 Doosan Infracore Construction Equipment America. All rights reserved.

DOOSAN